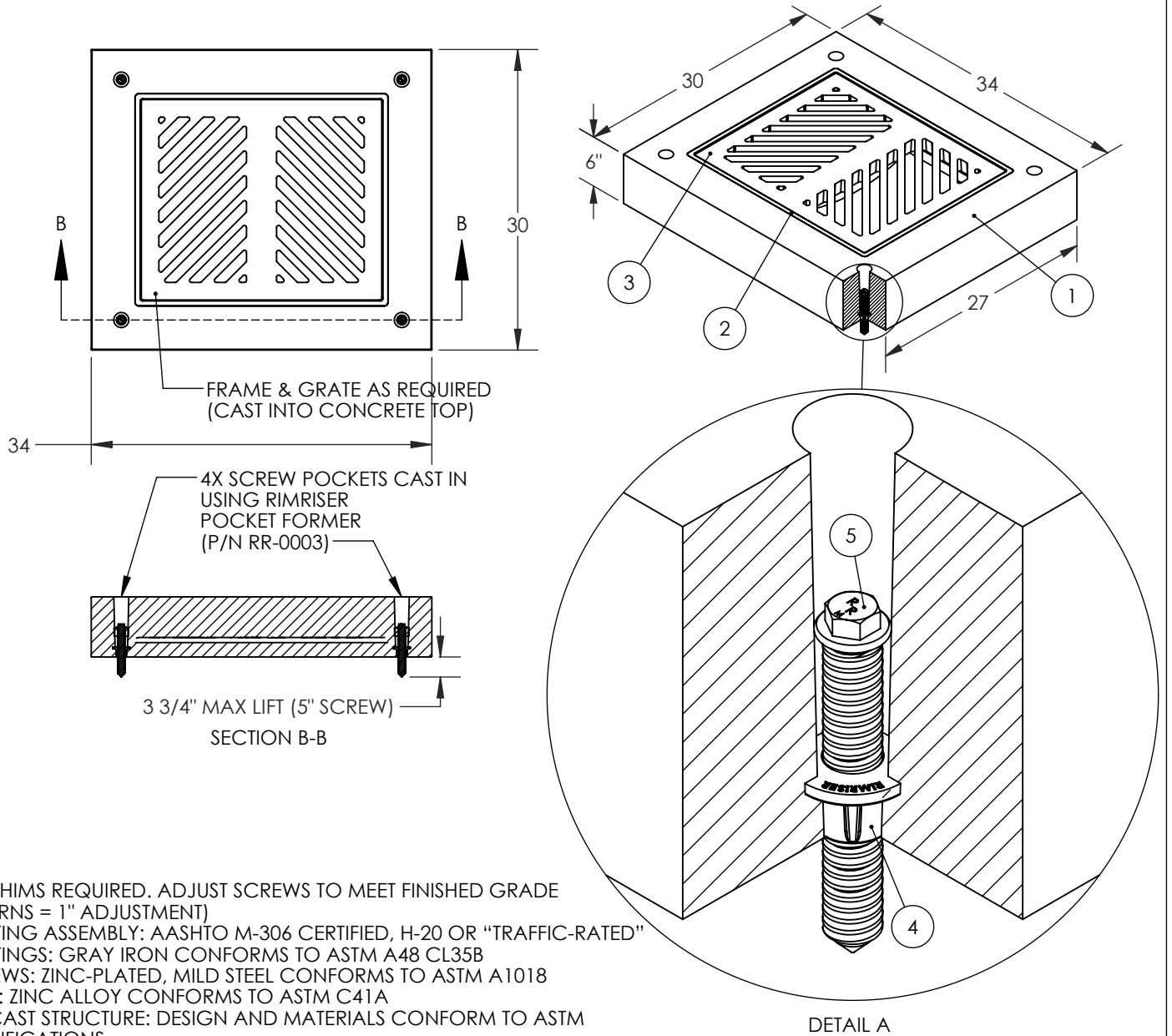


ITEM NO.	PART NUMBER	DESCRIPTION	QTY.
1	6" PRECAST TOP	WSDOT TYPE 1 CATCH BASIN TOP	1
2	I-4432-RR2	RIMRISER PRECAST VERSION OF I-4432-RR1 (D&L FOUNDRY)	1
3	I-4432-01	INLET GRATE (24" X 20" X 1 5/8", D&L FOUNDRY)	1
4	RR-0002	3/4" JACK NUT PRECAST INSERT	4
5	RR-0034-5	3/4" X 5" JACK SCREW / 5/8" HEX HEAD	4
CONTACT SUPPLIER FOR FRAME & GRATE OPTIONS			



**NOTES:**

1. NO SHIMS REQUIRED. ADJUST SCREWS TO MEET FINISHED GRADE (6 TURNS = 1" ADJUSTMENT)
2. CASTING ASSEMBLY: AASHTO M-306 CERTIFIED, H-20 OR "TRAFFIC-RATED"
3. CASTINGS: GRAY IRON CONFORMS TO ASTM A48 CL35B
4. SCREWS: ZINC-PLATED, MILD STEEL CONFORMS TO ASTM A1018
5. NUTS: ZINC ALLOY CONFORMS TO ASTM C41A
6. PRECAST STRUCTURE: DESIGN AND MATERIALS CONFORM TO ASTM SPECIFICATIONS
7. GENERALLY, FILL AND PACK GAP BETWEEN PRECAST TOP AND SUPPORTING BASE WITH NON-SHRINK GROUT AND FINISH SMOOTH/FLUSH WITH INTERIOR AND EXTERIOR OF ADJOINING SURFACES. REFER TO LOCAL SPECIFICATIONS.
8. U.S. AND FOREIGN PATENTS PENDING. ALL PARTS MADE IN USA.
9. USE ONLY GENUINE RIMRISER PARTS.

RIMRISER RESERVES THE RIGHT TO MODIFY OR CHANGE PRODUCT DESIGN OR CONSTRUCTION WITHOUT PRIOR NOTICE AND WITHOUT INCURRING OBLIGATION TO MAKE SIMILAR CHANGES AND MODIFICATIONS TO PRODUCTS PREVIOUSLY OR SUBSEQUENTLY SOLD. SEE YOUR RIMRISER REPRESENTATIVE FOR ANY CLARIFICATION. DIMENSIONS ARE SUBJECT TO MANUFACTURING TOLERANCES. TEL: (360) 833-2277 RIMRISER.COM

REV.	DATE	APPROVED BY	TITLE	STANDARD DETAIL		
				DRAWN BY	NAME	DATE
B	08/06/21	AMB	RIMRISER ADJUSTABLE TYPE I CATCH BASIN TOP	DAP	DAP	07/11/2020
				AMB	AMB	07/14/2020
				DETAIL NO. SD-RR-WSDOT-T1-CB-TOP		
				SIZE <b>A</b>	NOT TO SCALE	REV. <b>B</b>

