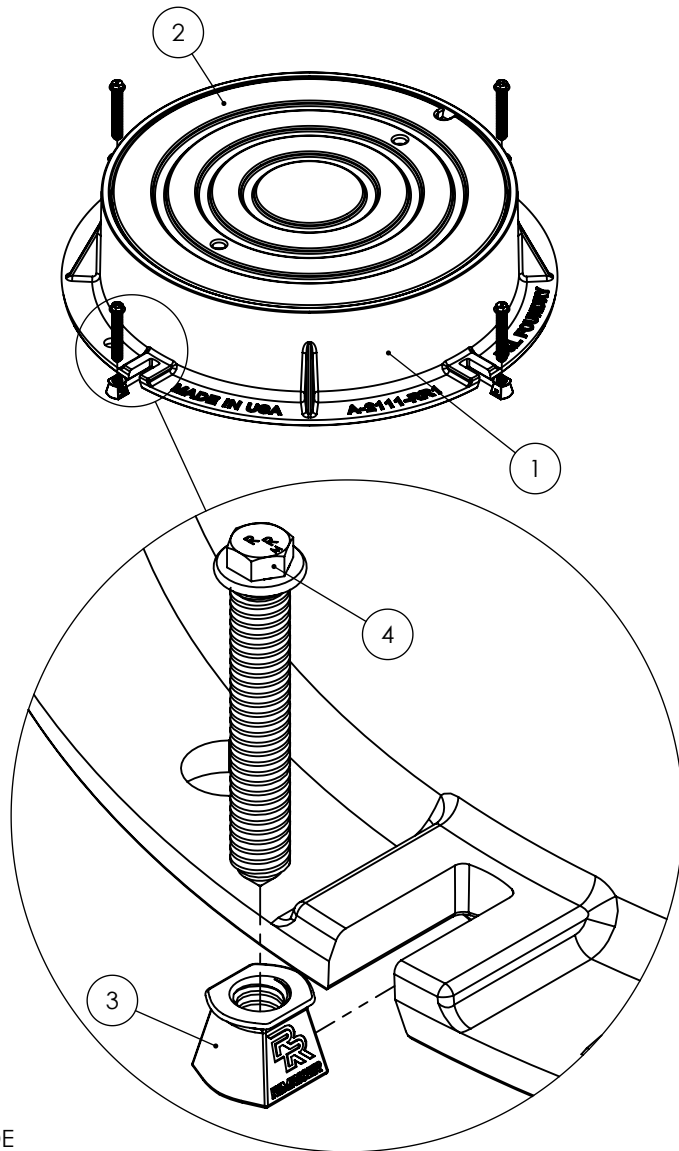
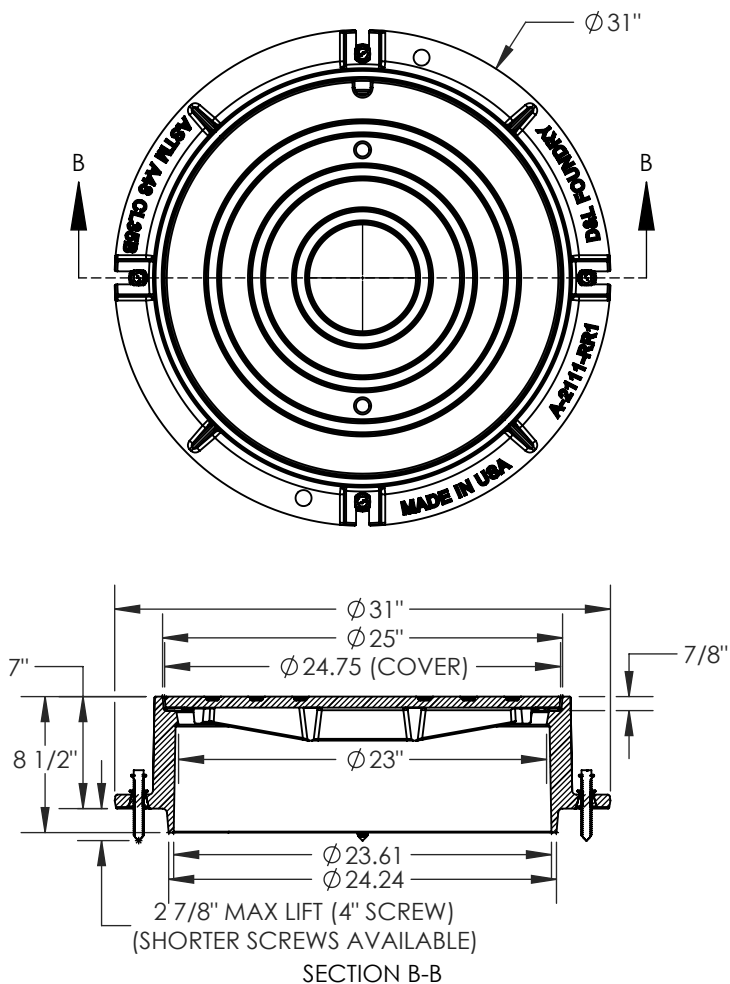


ITEM NO.	PART NUMBER	DESCRIPTION	QTY.
1	A-2111-RR1	RIMRISER 7" RING (D&L FOUNDRY)	1
2	A-2107-03	25" COVER (D&L FOUNDRY)	1
3	RR-0001	5/8" SLOT NUT INSERT	4
4	RR-0058-4	5/8" X 4" JACK SCREW / 5/8" HEX HEAD	4
CONTACT SUPPLIER FOR COVER OPTIONS (EX: BOLT DOWN WATERTIGHT)			



**NOTES:**

1. NO SHIMS REQUIRED. ADJUST SCREWS TO MEET FINISHED GRADE (8 TURNS = 1" ADJUSTMENT).
2. CASTING ASSEMBLY: AASHTO M-306 CERTIFIED; H-20 OR "TRAFFIC-RATED"
3. CASTINGS: GRAY IRON CONFORMS TO ASTM A48 CL35B
4. SCREWS: ZINC-PLATED, MILD STEEL CONFORMS TO ASTM A1018
5. NUTS: ZINC ALLOY CONFORMS TO ASTM C41A
6. GENERALLY, FILL AND PACK GAP BETWEEN FRAME AND SUPPORTING BASE WITH NON-SHRINK GROUT AND FINISH SMOOTH/FLUSH WITH INTERIOR AND EXTERIOR OF ADJOINING SURFACES. REFER TO LOCAL SPECIFICATIONS.
7. U.S. AND FOREIGN PATENTS PENDING. ALL PARTS MADE IN USA.
8. USE ONLY GENUINE RIMRISER PARTS.

RIMRISER RESERVES THE RIGHT TO MODIFY OR CHANGE PRODUCT DESIGN OR CONSTRUCTION WITHOUT PRIOR NOTICE AND WITHOUT INCURRING OBLIGATION TO MAKE SIMILAR CHANGES AND MODIFICATIONS TO PRODUCTS PREVIOUSLY OR SUBSEQUENTLY SOLD. SEE YOUR RIMRISER REPRESENTATIVE FOR ANY CLARIFICATION. DIMENSIONS ARE SUBJECT TO MANUFACTURING TOLERANCES. TEL: (360) 833-2277 RIMRISER.COM

 315 N GRAND BLVD, SUITE 100 VANCOUVER, WA 98661	REV.	DATE	APPROVED BY	STANDARD DETAIL				
	A	07/20/20	AMB	TITLE	DRAWN BY	NAME	DATE	
	B	01/08/21	DAP	RIMRISER ADJUSTABLE 7" STANDARD MANHOLE RING & 25" COVER	APPROVED BY	AMB	07/20/2020	
	C	08/06/21	AMB		DETAIL NO.	SD-A-2111-RR1		
				SIZE	A	NOT TO SCALE	REV.	C