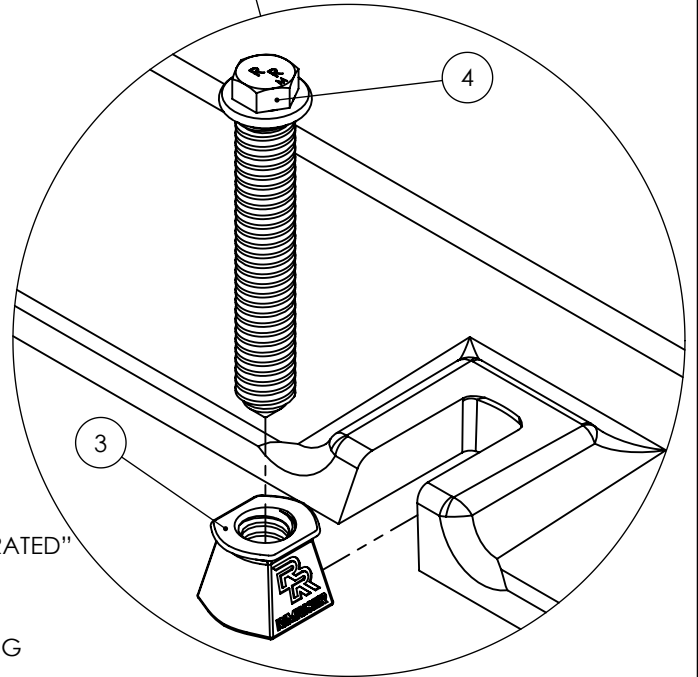
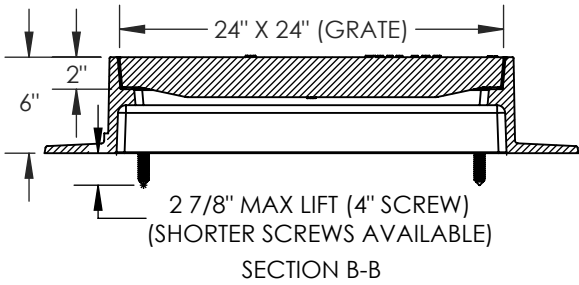
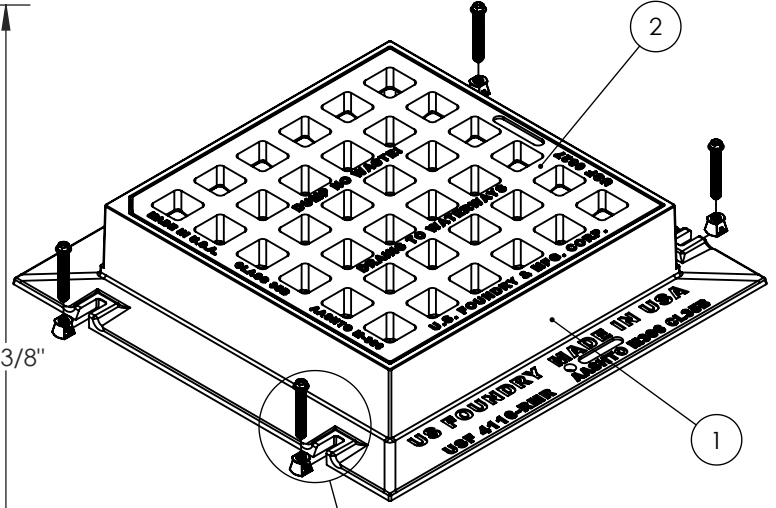
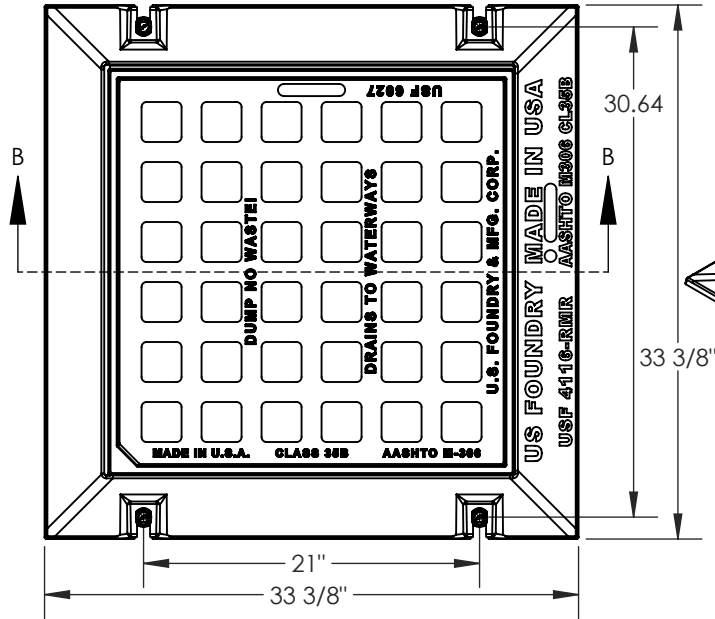


ITEM NO.	PART NUMBER	DESCRIPTION	QTY.
1	4116-RMR	RIMRISER ADJUSTABLE INLET FRAME (US FOUNDRY)	1
2	6027	24" X 24" INLET GRATE (US FOUNDRY)	1
3	RR-0001	5/8" SLOT NUT INSERT	4
4	RR-0058-4	5/8" X 4" JACK SCREW / 5/8" HEX HEAD	4
CONTACT SUPPLIER FOR GRATE OPTIONS			



NOTES:

1. NO SHIMS REQUIRED. ADJUST SCREWS TO MEET FINISHED GRADE (8 TURNS = 1" ADJUSTMENT).
2. CASTING ASSEMBLY: AASHTO M-306 CERTIFIED; H-20 OR "TRAFFIC-RATED"
3. CASTINGS: GRAY IRON CONFORMS TO ASTM A48 CL35B
4. SCREWS: ZINC-PLATED, MILD STEEL CONFORMS TO ASTM A1018
5. NUTS: ZINC ALLOY CONFORMS TO ASTM C41A
6. GENERALLY, FILL AND PACK GAP BETWEEN FRAME AND SUPPORTING BASE WITH NON-SHRINK GROUT AND FINISH SMOOTH/FLUSH WITH INTERIOR AND EXTERIOR OF ADJOINING SURFACES. REFER TO LOCAL SPECIFICATIONS.
7. U.S. AND FOREIGN PATENTS PENDING. ALL PARTS MADE IN USA.
8. USE ONLY GENUINE RIMRISER PARTS.

RIMRISER RESERVES THE RIGHT TO MODIFY OR CHANGE PRODUCT DESIGN OR CONSTRUCTION WITHOUT PRIOR NOTICE AND WITHOUT INCURRING OBLIGATION TO MAKE SIMILAR CHANGES AND MODIFICATIONS TO PRODUCTS PREVIOUSLY OR SUBSEQUENTLY SOLD. SEE YOUR RIMRISER REPRESENTATIVE FOR ANY CLARIFICATION. DIMENSIONS ARE SUBJECT TO MANUFACTURING TOLERANCES. TEL: (360) 833-2277 RIMRISER.COM

REV.	DATE	APPROVED BY	TITLE	NAME	DATE	
				DRAWN BY	DAP	04/21/2021
B	08/06/21	AMB	STANDARD DETAIL RIMRISER ADJUSTABLE INLET FRAME & GRATE (TYPE "F" CATCH BASIN)	APPROVED BY	AMB	04/21/2021
				DETAIL NO.	SD-4116-RMR	
			SIZE	A	NOT TO SCALE	REV. B



RIMRISER™
315 N GRAND BLVD, SUITE 100
VANCOUVER, WA 98661